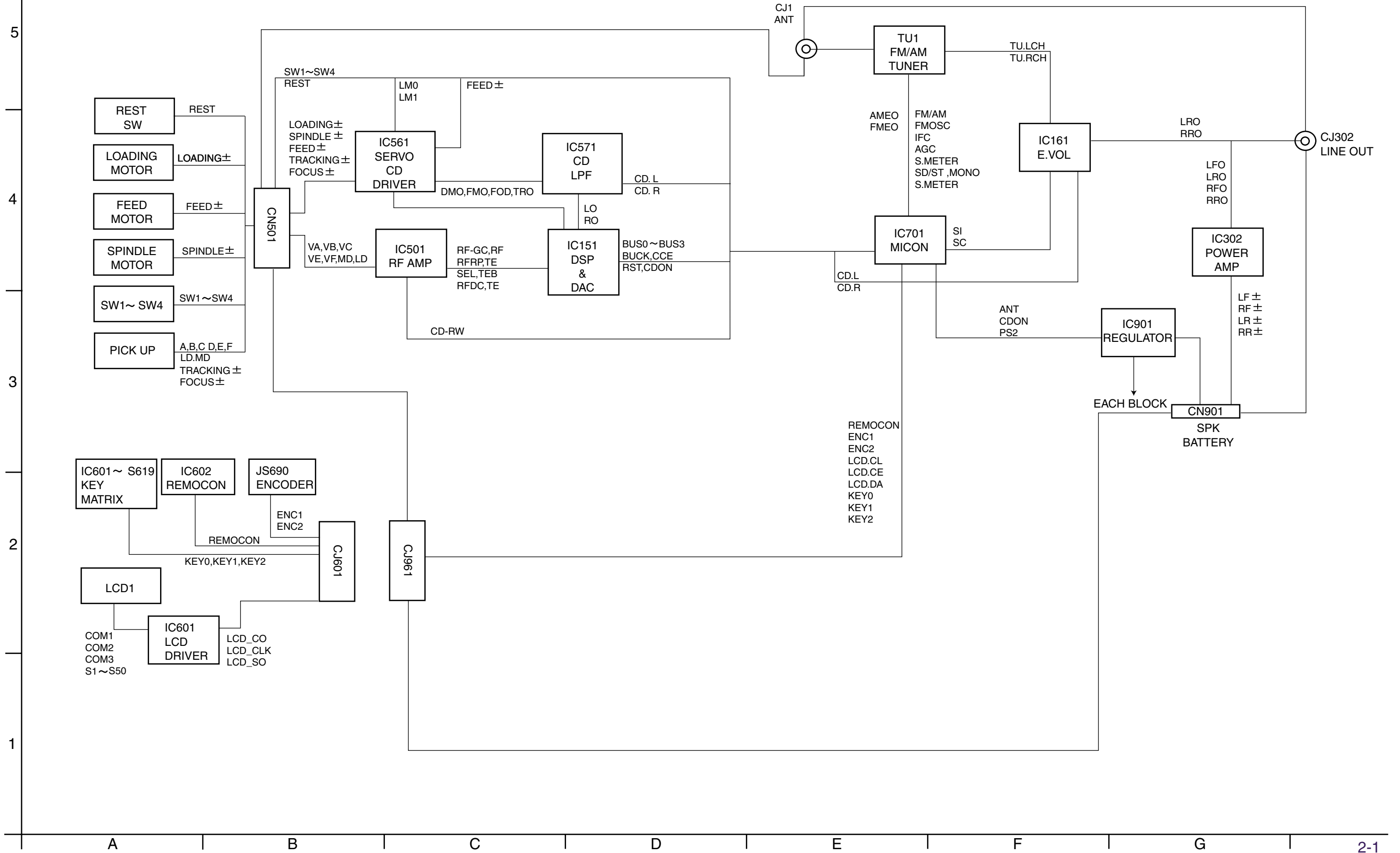


Block diagram



Standard schematic diagrams

KD-S680

KD-S680

Main amp section

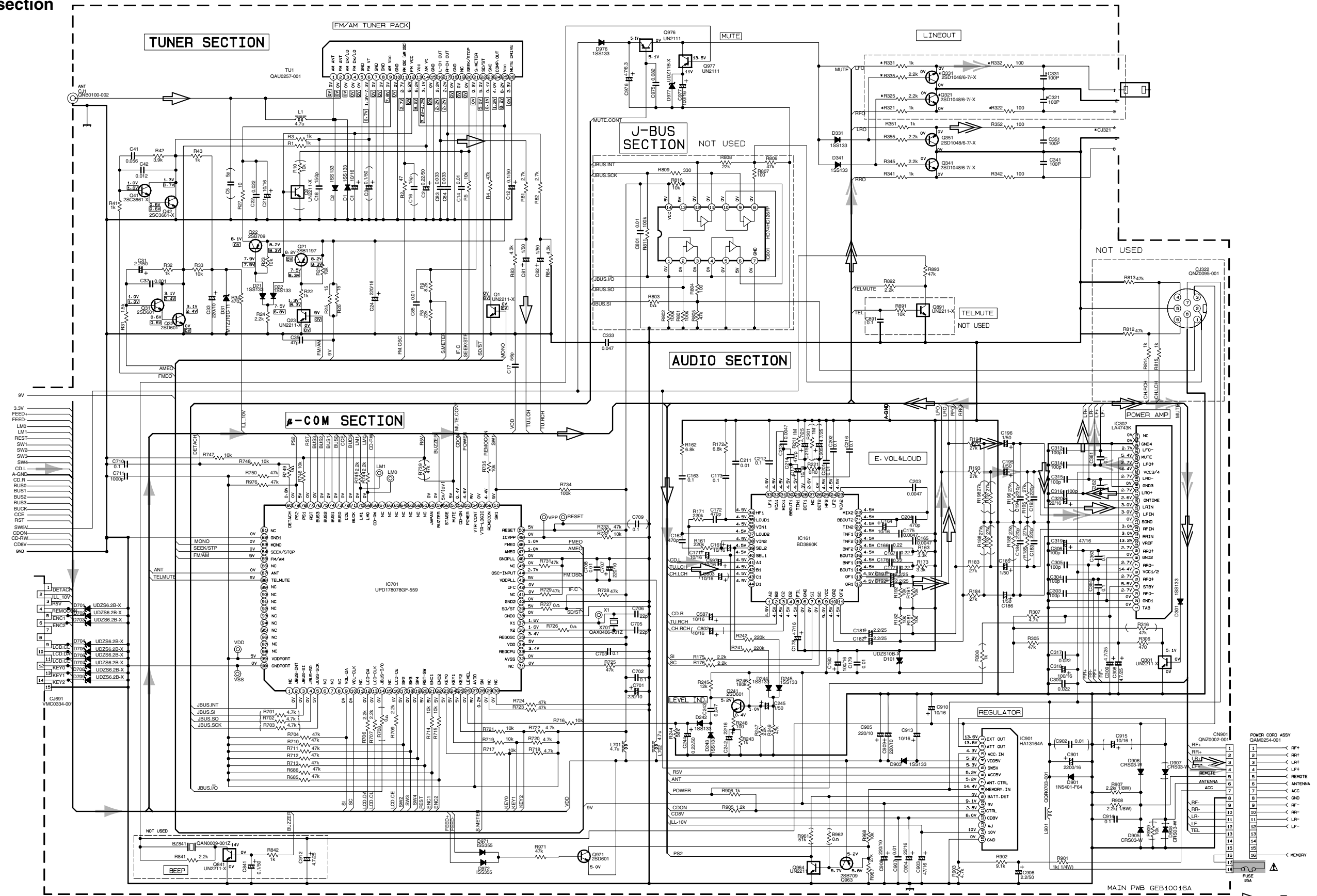
5

4

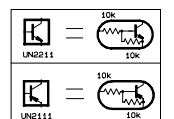
3

2

1



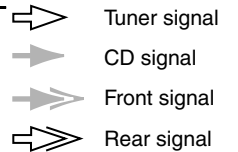
*REMARK	KD-S680J	KD-S700BUJ	KD-S700GJ	KD-S7250J
R331, R332, R333, R334, R335, R321, R322, R323, R324, R325, C321, C322, C323, C324, C325	NOT USED	NOT USED	NOT USED	USED
CJ321	QNN0170-001	QNN0170-001	QNN0170-001	QNN0176-001



NOTES

- VOLTAGES ARE DC-MEASURED WITH A DIGITAL VOLT METER WITHOUT INPUT SIGNAL. CONDITION --- FM (□) AM MODE
- UNLESS OTHERWISE SPECIFIED, ALL RESISTORS ARE 1/16W ±5% METAL GLAZE RESISTOR. ALL CAPACITORS ARE 50V OR 25V CERAMIC CAPACITOR. ALL RESISTANCE VALUES ARE IN OHM. ALL CAPACITANCE VALUES ARE IN UF (PpF) ALL E. CAPACITORS ARE SHOWN IN THE FORM OF CAPACITANCE(UF)/RATED VOLTAGE(V)

Parts are safety assurance parts. When replacing those parts make sure to use the specified one.



A B C 2-2 D E F G H

CD servo control section

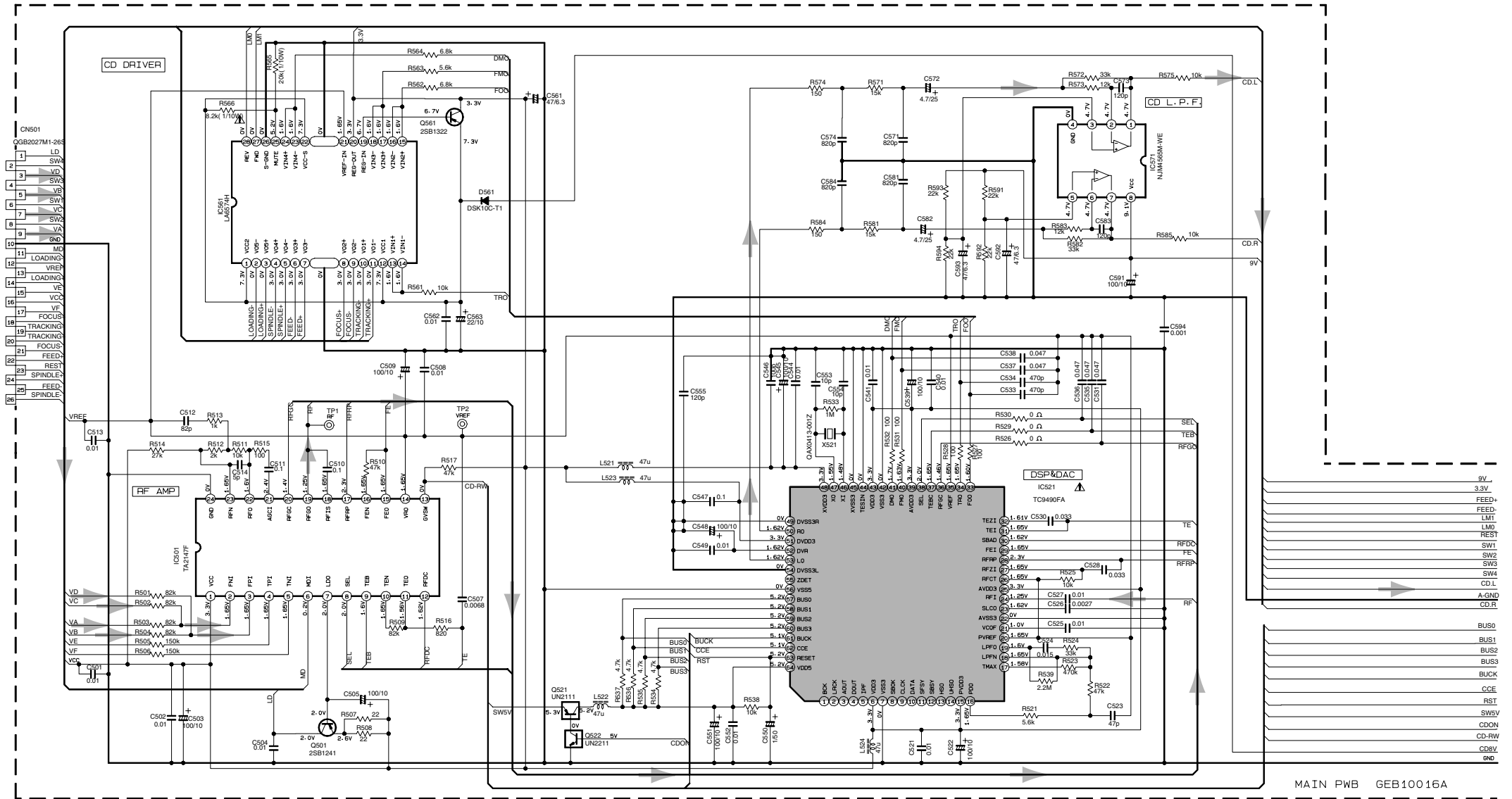
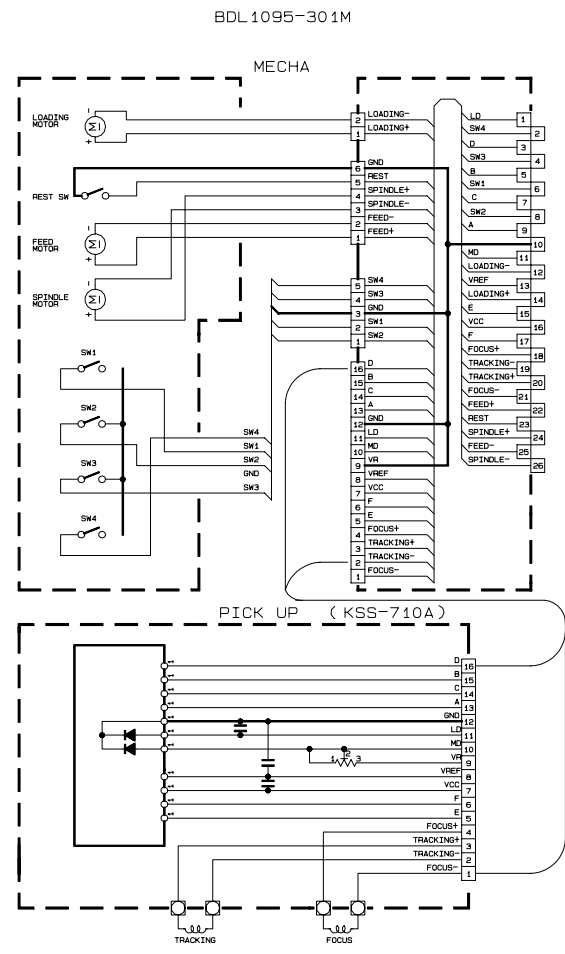
5

4

3

2

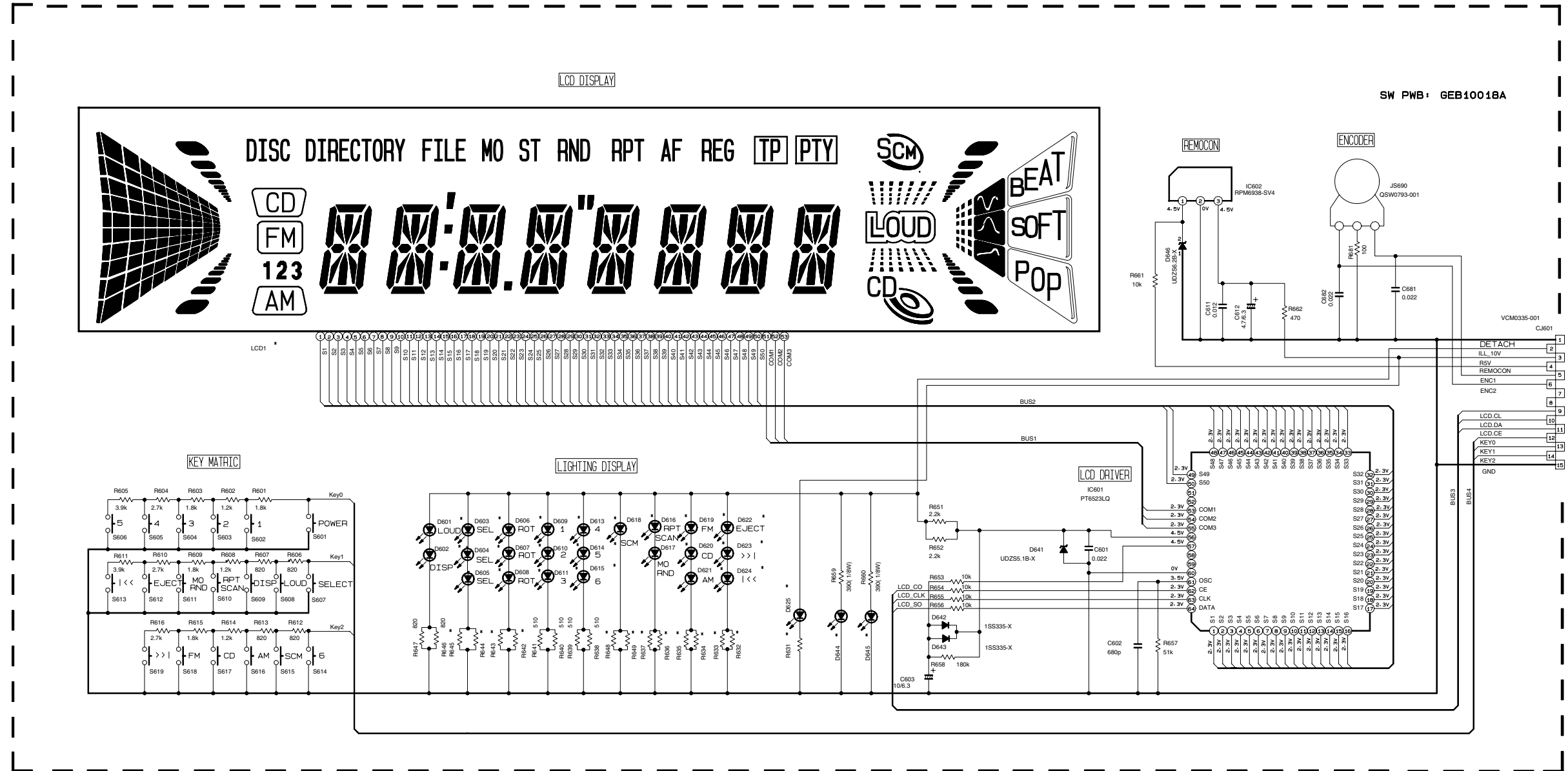
1



- NOTES
- VOLTAGES ARE DC-MEASURED WITH A DIGITAL VOLT METER WITHOUT INPUT SIGNAL CONDITION --- CD MODE.
 - UNLESS OTHERWISE SPECIFIED, ALL RESISTOR ARE 1/16W ±5% METAL GLAZE RESISTOR. ALL CAPACITORS ARE 50V OR 25V CERAMIC CAPACITOR. ALL RESISTANCE VALUES ARE IN OHM. ALL CAPACITANCE VALUES ARE IN uF (P=PF) ALL E-CAPACITORS ARE SHOWN IN THE FORM OF CAPACITANCE(uF)/RATED VOLTAGE(V)

▲ Parts are safety assurance parts. When replacing those parts make sure to use the specified one. → CD signal

■ LCD & key control section



*REMARKS

MODEL	KD-S680J	KD-S7250J	KD-S700GJ	KD-S700BJ
LCD1	QLD0216-001	QLD0216-001	QLD0216-001	QLD0216-001
D644 D645	WHITE NSPW310BS/BRS/	WHITE NSPW310BS/BRS/	WHITE NSPW310BS/BRS/	WHITE NSPW310BS/BRS/
D601-D617 D619-D624	SML-310VT/JK/-X	SML-310VT/JK/-X	LNJ308G81/1-3/X	LNJ308G81/1-3/X
D618	LNJ308G81/1-3/X	LNJ308G81/1-3/X	SML-310VT/JK/-X	SML-310VT/JK/-X
D625	SML-310LT/MN/-X	SML-310LT/MN/-X	SML-310LT/MN/-X	SML-310LT/MN/-X
R631	820	820	820	820
R632 R633	1.8k	1.8k	1.2k	1.2k
R634 R635	1.8k	1.8k	910	910
R636 R637	1.8k	1.8k	510	510
R642 R643	820	820	470	470
R644 R645	1.8k	1.8k	820	820
R648	680	680	1.8k	1.8k
R649	820	820	1.8k	1.8k

- NOTES
1. VOLTAGES ARE DC-MEASURED WITH A DIGITAL VOLT METER WITHOUT INPUT SIGNAL.
 2. UNLESS OTHERWISE SPECIFIED, ALL RESISTOR ARE 1/16W ±5% METAL GLAZE RESISTOR. ALL CAPACITORS ARE 50V OR 25V CERAMIC CAPACITOR. ALL RESISTANCE VALUES ARE IN OHM. ALL CAPACITANCE VALUES ARE IN uF(P=pF) ALL E-CAPACITORS ARE SHOWN IN THE FORM OF CAPACITANCE(uF)/RATED VOLTAGE(V)

5

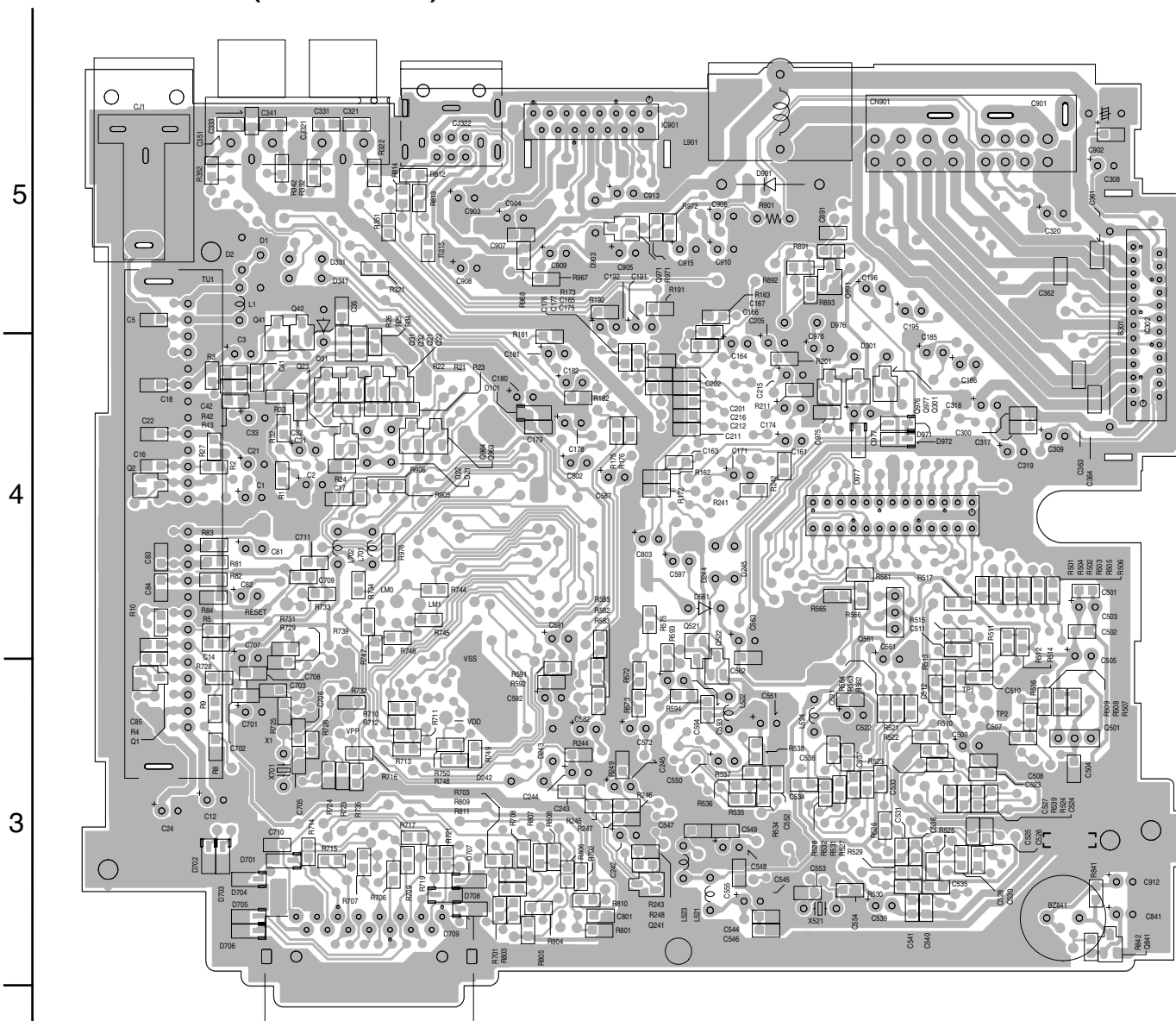
4

3

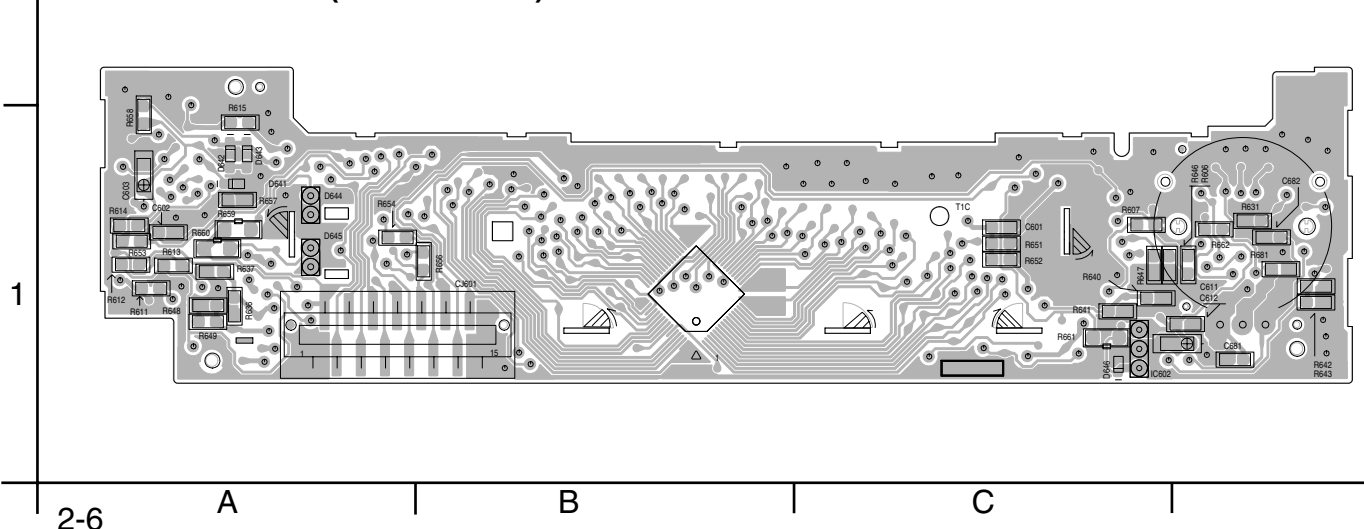
2

1

■ Main board(Reverse side)



■ Front board(Reverse side)



< MEMO >